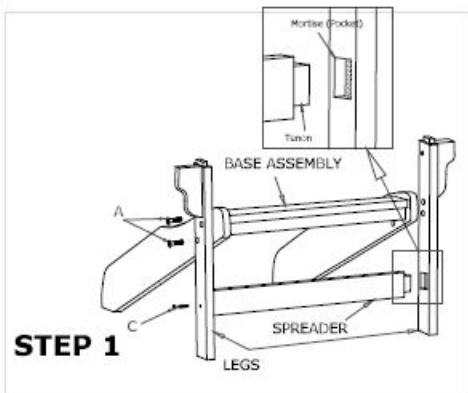


COASTAL ADIRONDACK CHAIR

Recycled Poly Furniture



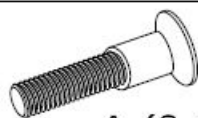
STEP 1

Attach Spreader tenon into mortise (pocket) on Leg Assemblies and attach with screws (C) as shown. Bolt legs to Base Assembly using bolts (A).

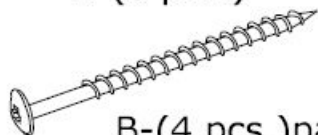


STEP 2

Tenons on the Back Assembly will fit into mortise (pocket) in Base Assembly. Attach with Screws (C) as shown.



A-(8 pcs.)



B-(4 pcs.) painted



C-(4 pcs.) painted

LIST OF PARTS

Back Assembly (1)
Base Assembly (1)
Leg Assemblies (2)
Spreader (1)
Arms (1R) (1L)
Chair Bolts "A" (8)
Colored Screws "B" (4)
Colored Screws "C" (4)
Insert Bit Tool (1)



STEP 3

Attach Arms to front Legs from the top using screws (B). Bolt Arm Assemblies to Back Assembly using Bolts (A) as shown.