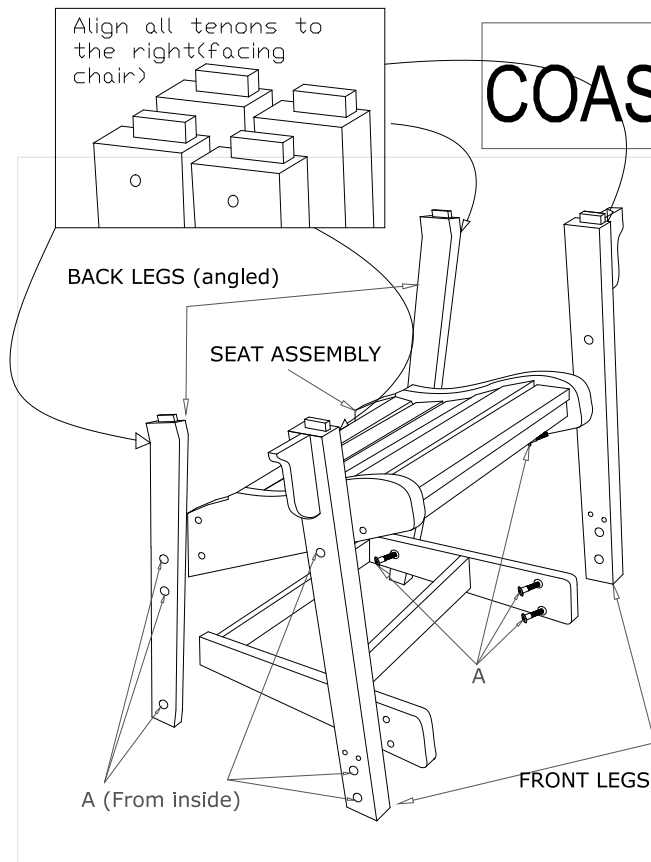
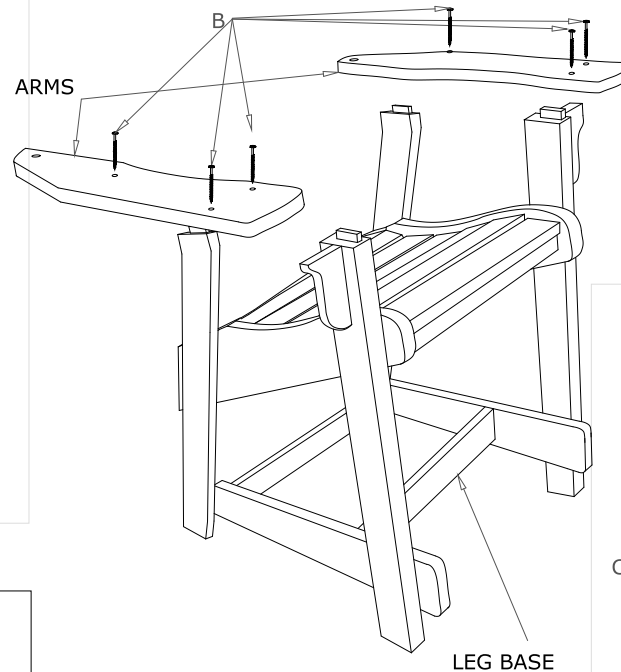


COASTAL DINING CHAIR

BREEZESTA™
Recycled Poly Furniture



Attach front and back legs to seat and leg base assemblies.



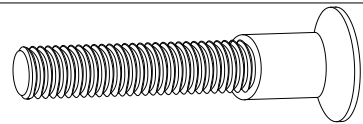
STEP 2

Attach arm rest and supports as shown.

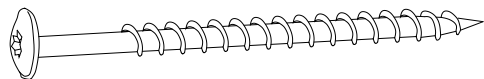


STEP 3

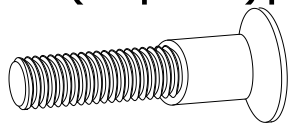
Slide back onto seat and attach at seat and arm rest.



A-2.125" (12 pcs.) painted



B-2.5" (8 pcs.) painted



C-1.5" (2 pcs.) painted

LIST OF PARTS

- Back Assembly (1)
- Seat Assembly (1)
- Front Legs (2)
- Rear Legs (2)
- Arms (1R) (1L)
- Leg Base (1)
- Chair Bolts "A" (12)
- Colored Screws "B" (8)
- Chair Bolt "C" (2)
- Insert Bit Tool (1)