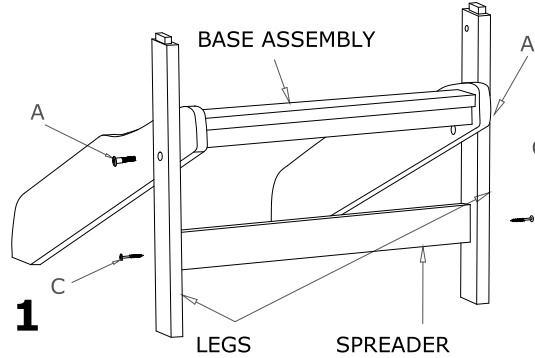


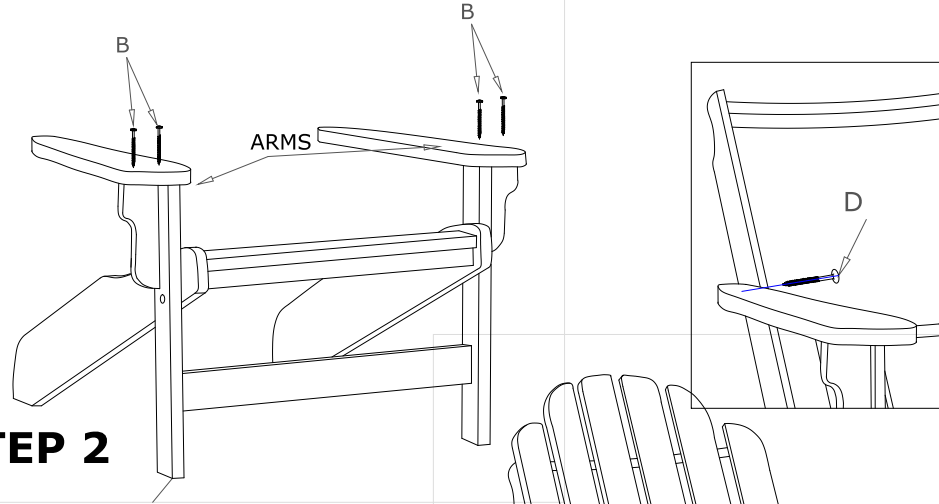
Recycled Poly Furniture

STEP 1



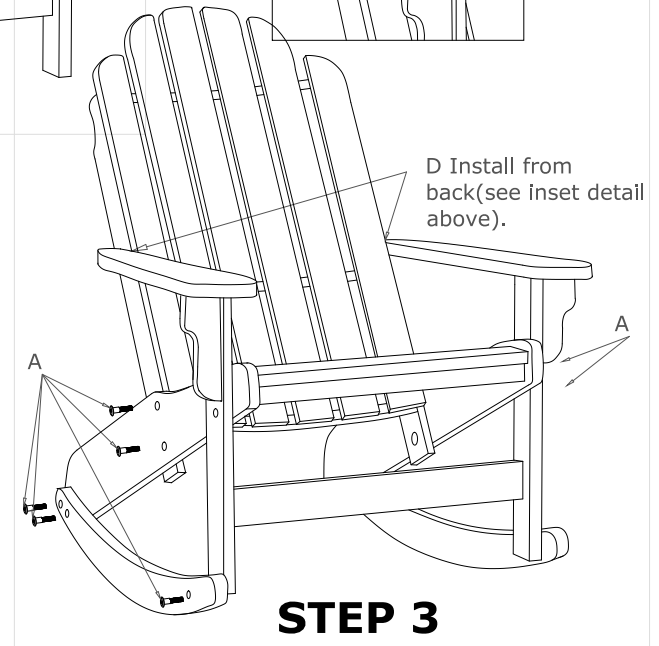
Attach Spreader to legs with screws (C) as shown. Bolt legs to base assembly using bolts (A).

STEP 2



Fit arms on top of legs and attached with screws (B) through top as shown.

STEP 3



Bolt back assembly to base assembly using 2 bolts (A) on each side as shown. Attach arm to seat back using Large Head Screws (D). Bolt rocker legs to using bolt (A) as shown.

A-1.5"(12 pcs.)

B-2.5"(4 pcs.)painted

C-1.5"(2 pcs.)painted

D-3"(2 pcs.)painted

LIST OF PARTS

- Back Assembly (1)
- Base Assembly (1)
- Legs (2)
- Spreader (1)
- Arms (1R) (1L)
- Rocker Legs (2)
- Chair Bolts "A" (12)
- Colored Screws "B" (4)
- Colored Screws "C" (2)
- Colored Screws "D" (2)
- Insert Bit Tool (1)