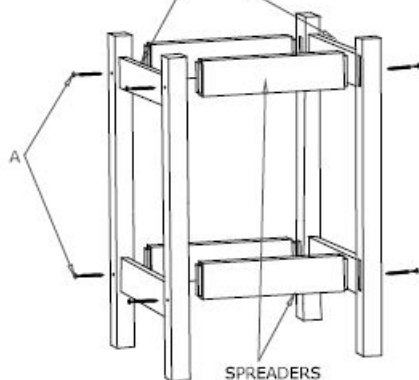


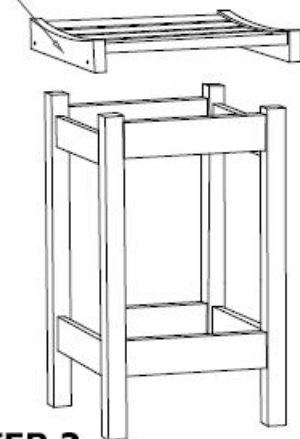
SIDE ASSEMBLIES



**STEP 1**

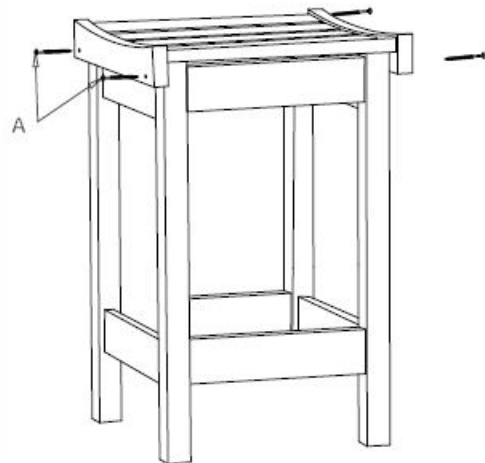
Attach Side Assemblies to Spreaders by placing the tenon into the mortise (pocket) and attaching with screws (A) as shown.

SEAT ASSEMBLY



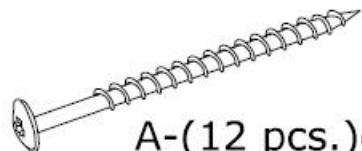
**STEP 2**

Place the Seat Assembly on the base so that the pre drilled holes in the seat align with the pre drilled holes in the Side Assemblies.



**STEP 3**

Attach the Seat Assembly to the base using screws (A).



A-(12 pcs.)colored

**LIST OF PARTS**

- Side Assemblies (2)
- Spreaders (6)
- Seat Assembly (1)
- Colored Screws "A" (12)
- Insert Bit Tool (1)