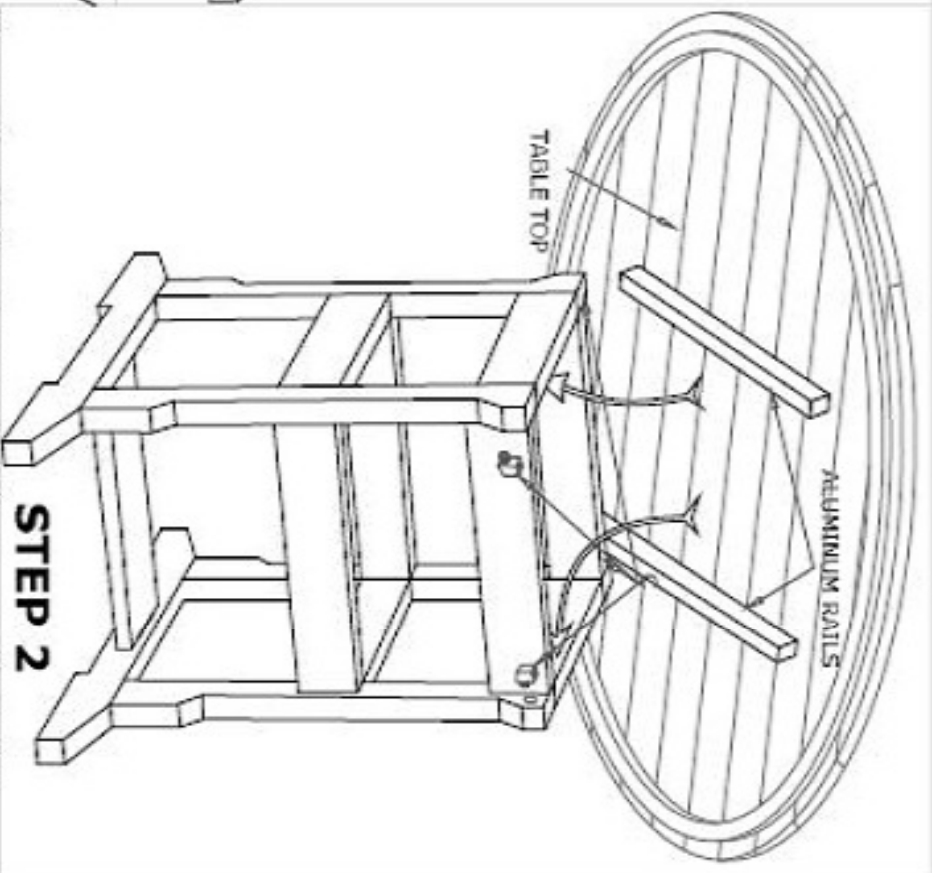
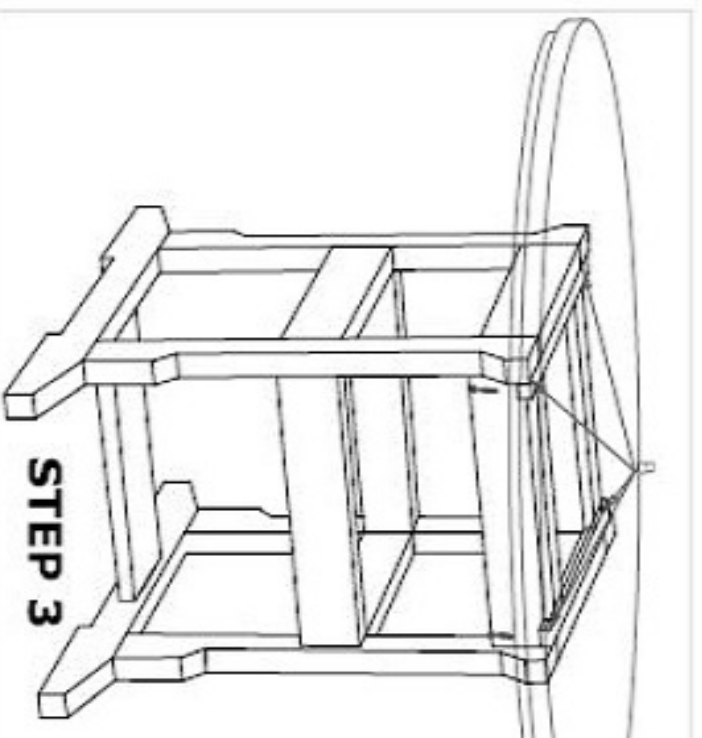


Assembles to Spreaders by  
tenon into the mortise  
and attaching with screws (A)



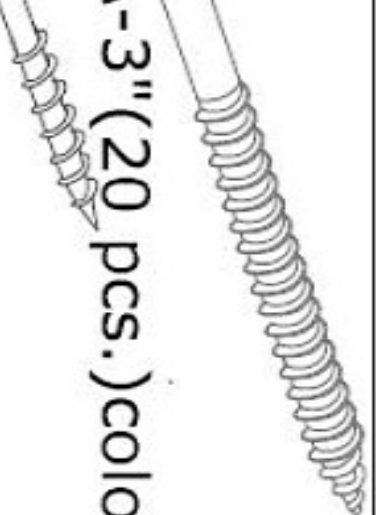
### STEP 2

Place the table top on the base so that the  
Aluminum Rails on the table top fit within the  
base as shown above. insert peg in plastic  
connector into hole in table legs.



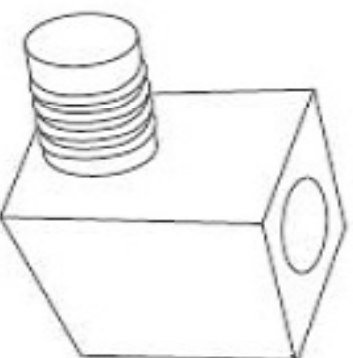
### STEP 3

Attach Table Top to base using uncolor  
screws (B) through the underside of  
plastic connectors.



3" (20 pcs.) colored

5" (4 pcs.) uncolored



C-Plastic Connector (4 pcs.)

**LIST OF PARTS**  
Side Assemblies (2)  
Spreaders (4)  
Base Spreader (1)  
Table Top (1)  
Colored Screws "A"  
Un-Colored Screws  
Plastic Connectors  
Insert Bit Tool (1)