

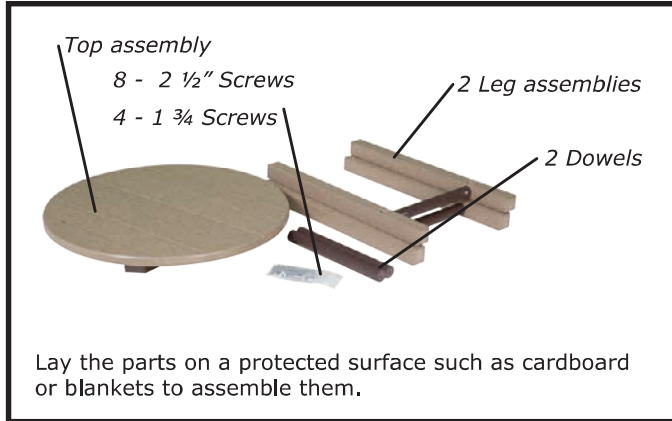
# Assembly Instructions

For SeaAira Side Table

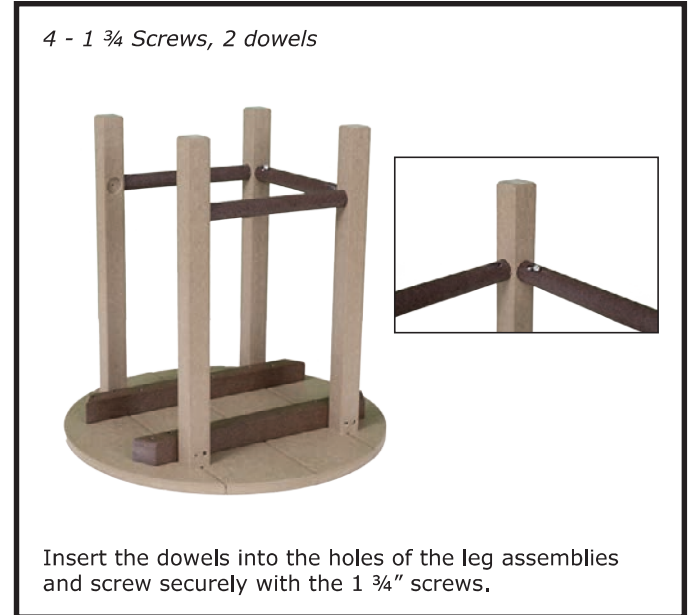
**Tools Needed:** #2 square bit screw driver or power driver, No drilling is required. All the necessary holes are predrilled.



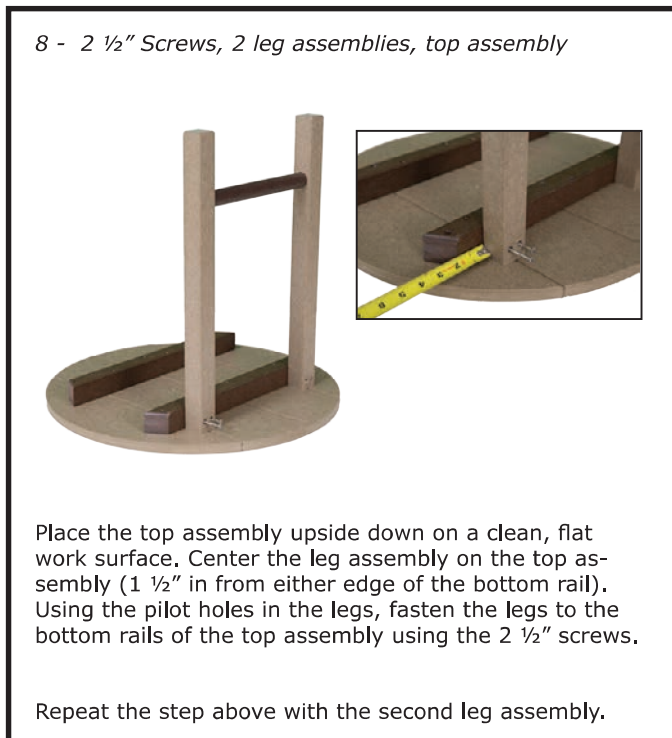
## Parts



## Step 2 – Attach the Dowels



## Step 1 – Attach the leg assemblies



Congratulations!  
Your SeaAira Side Table  
is ready to enjoy!

